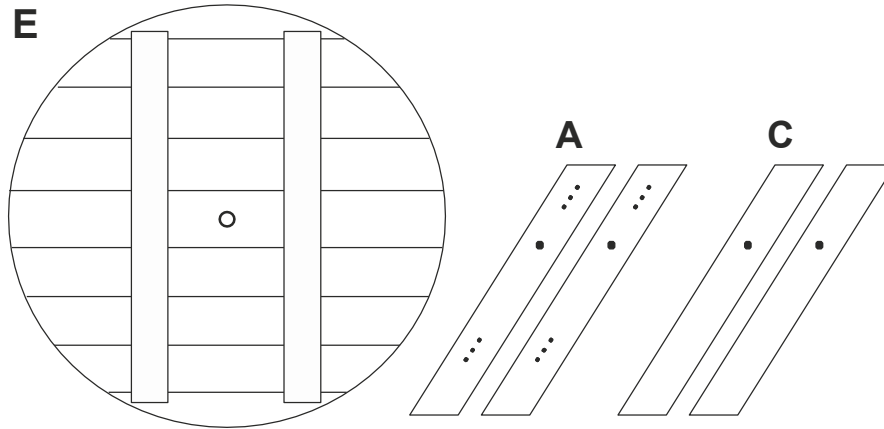
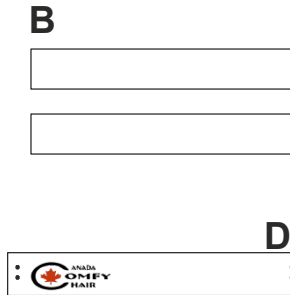







INSTRUCTION SHEET CDT700



Part List	
A	2
B	2
C	2
D	1
E	1



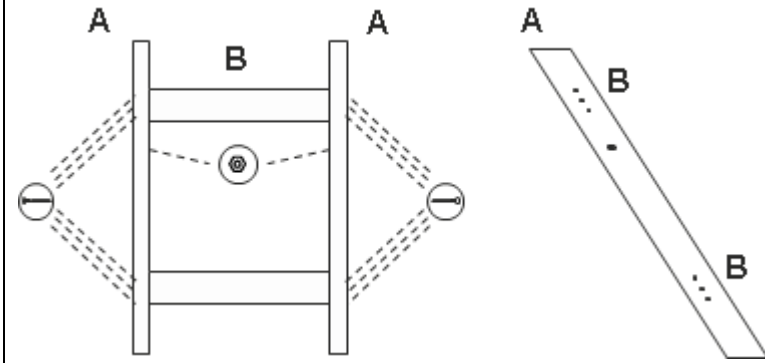
-  18 x 4 x 40 mm screws
-  2 x bolts and 2 x nuts
-  4 x washers

SIX STEPS TO THAT COMFY CHAIR FEELING

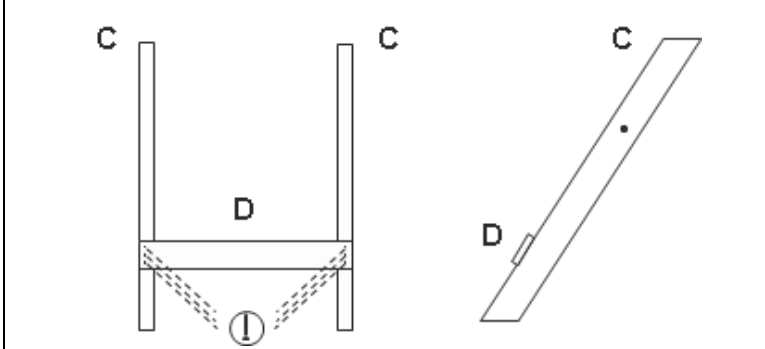
To gain maximum enjoyment from your Comfy Chair furniture, assemble the table according to the instructions in this sheet. For more strength and stability, we advise gluing the joints with the water resistant wood adhesive supplied.

STEP 1

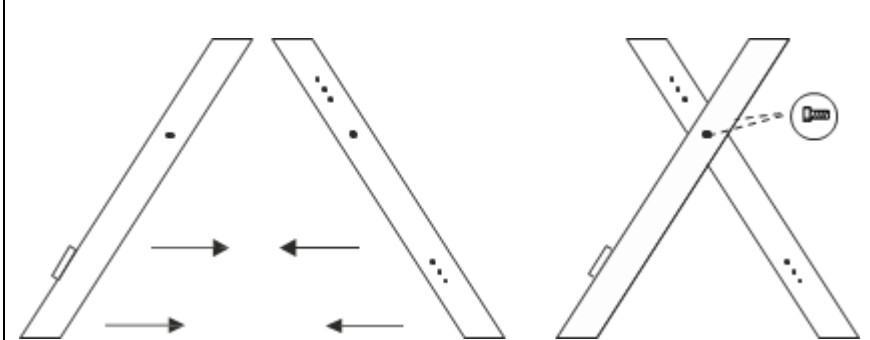
Fasten two planks (A) to the horizontal planks (B). Fasten one horizontal plank (B) at the top in the large space between planks (A) using three 4x40 mm screws on each side. The pencil marks are your reference points. Take the other plank (B) and fasten this to the bottom of planks (A) using three 4x40 mm screws on each side. Use the pencil marks for reference here, too. Then place the two nuts from the inside into the large holes at the top of the table legs.

**STEP 2**

Fasten the remaining planks (C) to plank (D) - the one with the Comfy logo - with three 4x40 mm screws on each side. Use the pencil marks again as reference points.

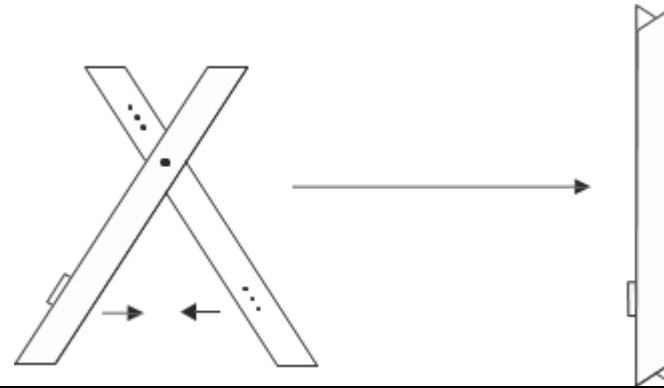
**STEP 3**

Now put the two assembled pieces together. Place the table leg structure with the two (B) planks between the table leg constructions with plank (D). Join the two table legs together with a nut and bolt on each side. Not too tightly - the legs have to be able to move.

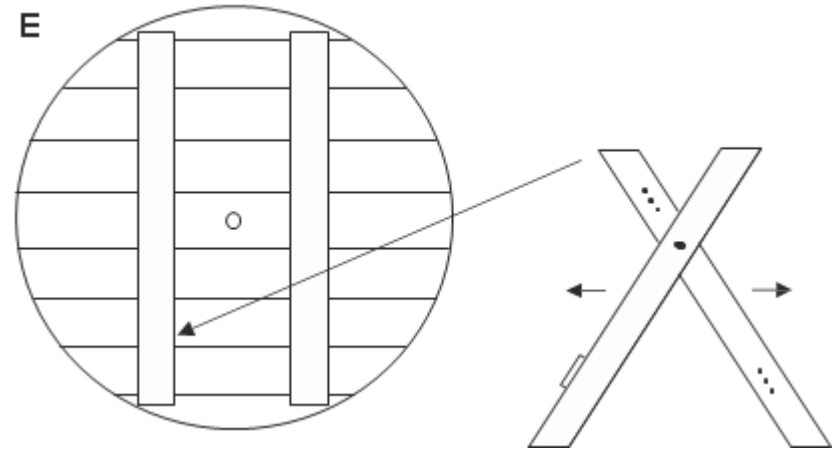


STEP 4

You should be able to move the table legs backwards and forwards. Before placing the table top onto the legs, push the legs towards each other and fold them together.

**STEP 5**

Take table top (E) and place it upside down on the floor. Now place the table leg between the two planks attached to the table top. Spread the table legs as far as they can go. The top of the table legs fits exactly in the inclination formed by the planks which are attached to the table top.



STEP 6

Turn the table over and set it on the floor. Rock it backwards and forwards until the table is standing steady on all four legs.

Set your Comfy Dining Chairs round the table and wine and dine in style!

Comfy Chair
Barneveld
The Netherlands

Tel: + 0031 6 51920965

info@comfychair.nl | www.comfychair.nl