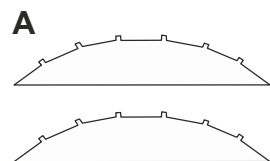
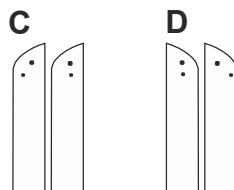




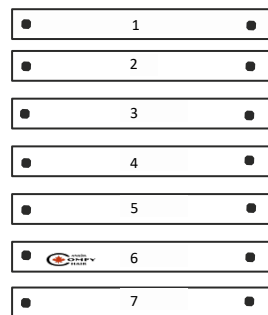
## INSTRUCTION SHEET CFO500





Parts	List
A	2
B	7
C	2
D	2
E	2
F	1



**B1-7**



-  20 x 4 x 30 mm screws
-  14 x 4 x 40 mm screws

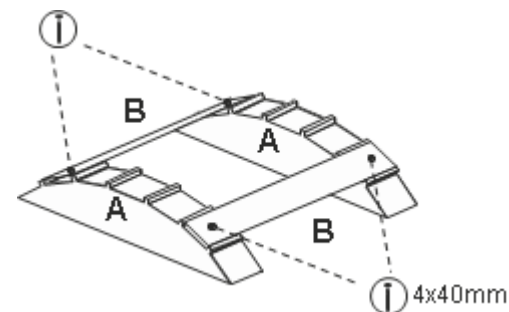
### SIX STEPS TO THAT COMFY CHAIR FEELING

To gain maximum enjoyment from your Comfy Chair, assemble the footstool according to the instructions in this sheet. For more strength and stability, we advise glueing the joints with the water resistant wood adhesive supplied.

### STEP 1

**Before you start: Take care -the screws supplied come in two lengths!**

Place the two round parts (A) on a flat surface with the notches facing upwards. Place one of the slats B (no. 2) in the second notch from the bottom with the countersunk edges of the pre-drilled holes facing upwards. The slats should fit perfectly into the notches and the outside of the slats should be aligned with the outside of the notches. Secure the slats on each side with two 4x40 mm screws. Secure slat B (no. 6 with logo) on the other side of the footstool in the same way, also in the second notch from the bottom.



### STEP 2

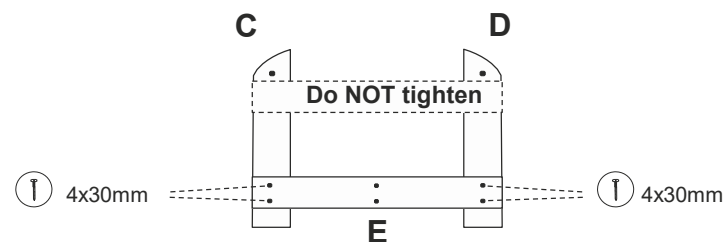
Secure the remaining slats B (no. 3,4, and 5) to the top of the footstool with the 4x30 mm screws.

Take care: secure the slats 1 and 7 with 4x30 mm screws.



### STEP 3

To attach the legs, take one (C) slat and one (D) slat. Place them on a flat surface with the countersunk edges of the pre-drilled holes facing downwards. Lay the horizontal slat (E) about 2.5 cm from the bottom on top of the slats (C) and (D) with the countersunk edges of the pre-drilled holes facing upwards. The outermost edges of slat (E) should be aligned with the outside edge of (C) and (D). To ensure that the structure is perpendicular, place the second (E) slat on top of slats (C) and (D) likewise. Do not tighten the screws yet! Now, fasten the bottom slat (E) on both sides with 4x30 mm screws.

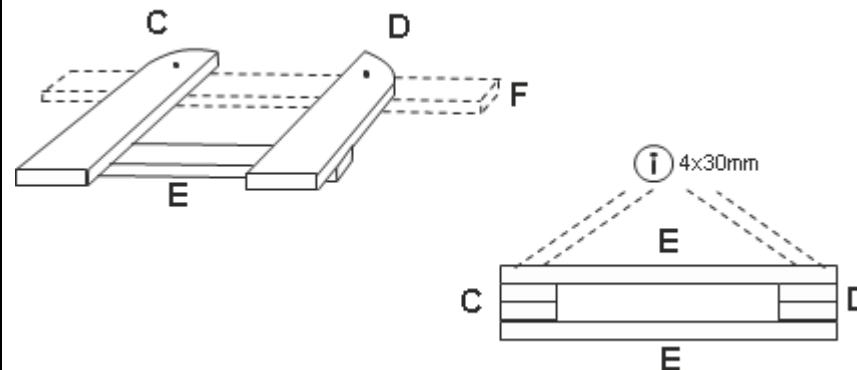


#### STEP 4

Turn the assembled part over. Slat (E) (that is already assembled) should be facing downwards.

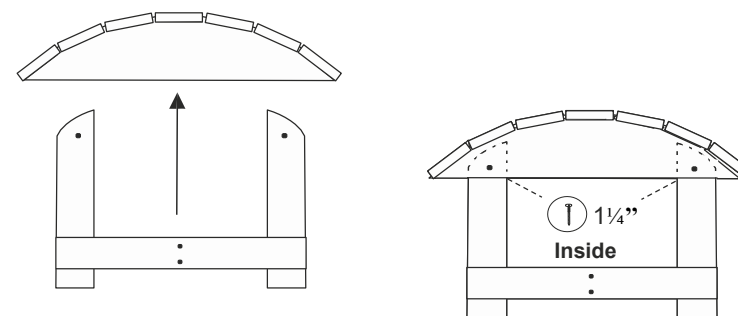
Now use slat (F) to check if the whole structure is flat. Place the remaining slats (C) and (D) on top of the assembled part with the countersunk edges of the pre-drilled holes facing downwards. Now lay slat (E) on top of slats (C) and (D).

Make sure that the distance from slat (E) is also about 2.5 cm from the bottom, with the countersunk edges of the pre-drilled holes facing upwards. When you are certain that this structure is the same as the first one, you can secure slat (E) using two 4x30 mm screws on each side.



#### STEP 5

Fasten both assembled legs to the inside of the footrest with three 4 x 30 mm screws on each side.



#### STEP 6

Place slat (F) in the middle of slats (E) and secure from the outside by fixing slats (E) with two 4x40 mm screws on each side.



**Sit down in your Comfy chair, put your feet up on the footstool and enjoy that Comfy feeling!**

Comfy Chair  
Barneveld  
The Netherlands

Tel: + 0031 6 51920965

[info@comfychair.nl](mailto:info@comfychair.nl) | [www.comfychair.nl](http://www.comfychair.nl)

