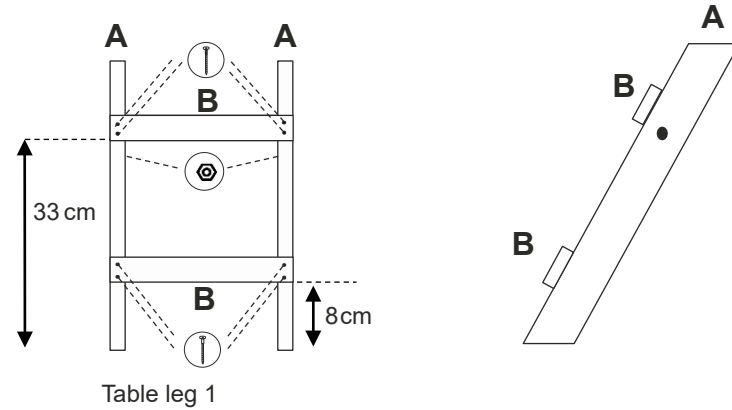
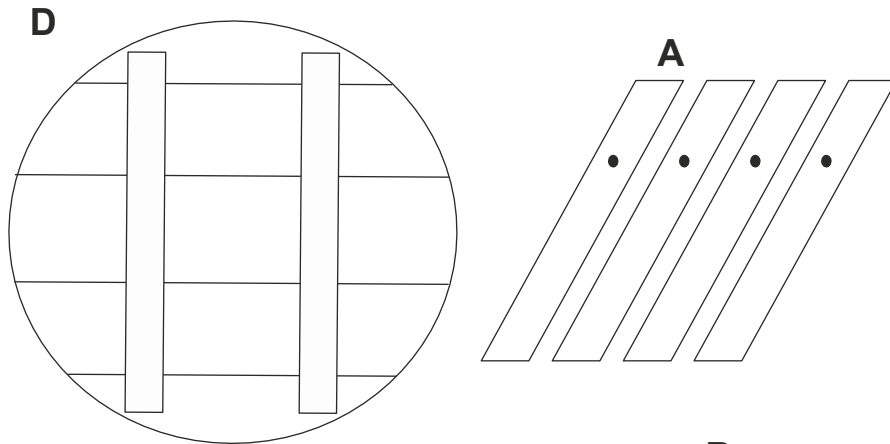




INSTRUCTION SHEET CST 400

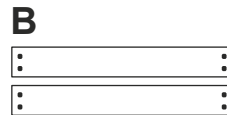
STEP 1

First, assemble table leg 1. Take two parts A and attach the parts B horizontally to the parts A. Attach the plank B as shown in the illustration below. Use two 4x40 mm screws for both planks.



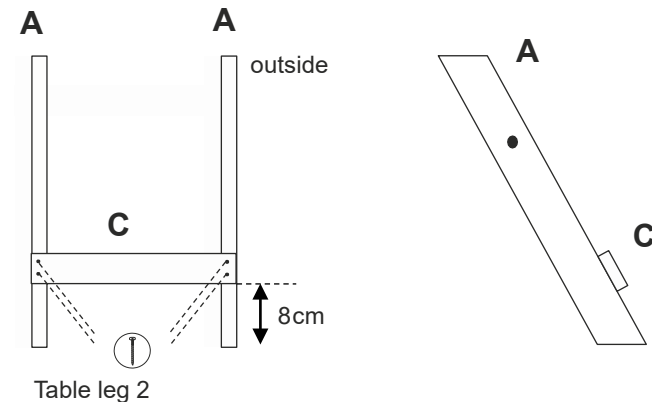
part	x
A	4
B	2
C	1
D	1

- 12x 4x40mm screws
- 2x bolts en 2x nuts
- 4x washers



STEP 2

Now assemble the table leg 2. Take two parts A and attach part C horizontally to the parts A. Attach plank C as shown in the illustration below. Use the two 4x40mm screws for both planks.

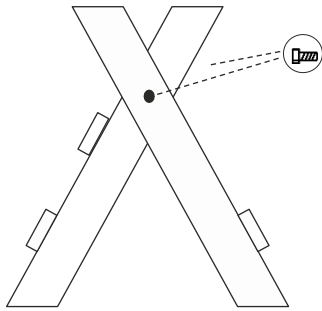


SIX STEPS TO THAT COMFY CHAIR FEELING

To gain maximum enjoyment from your Comfy Chair furniture, assemble this side table according to the instructions in the sheet. For more strength and stability, we advise glueing the joints with the water resistant wood adhesive supplied.

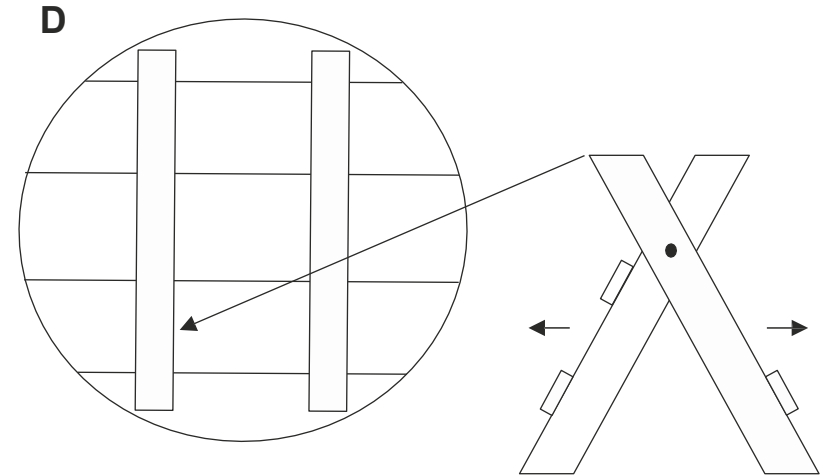
STEP 3

Join the two table legs together using one bolt on each side. Do not turn the screws too tight. The table legs should be movable. Do NOT use adhesive on these joints!



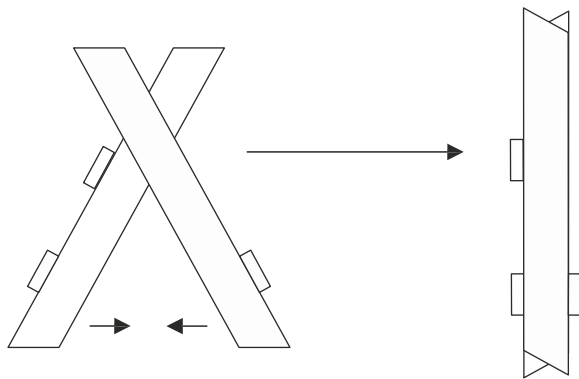
STEP 5

Take table top (D) and place it upside down on the floor. Now place the table leg between the two planks attached to the table top. Spread the table legs as far as they can go. The top of the table legs fits exactly in the inclination formed by the planks which are attached to the table top.



STEP 4

The table legs should be able to move backwards and forwards. Before placing the table top onto the legs, push the legs towards each other and fold them together.



STEP 6

Turn the table over and set it on the floor. Rock it backwards and forwards until the table is standing steady on all four legs.

Set your Comfy Side Table beside a comfortable Comfy Chair and enjoy a snack or a drink!



Comfy Chair
Barneveld, Netherlands
Tel : + 0031 6 51920965
E-mail : info@comfychair.nl
Website : www.comfychair.nl